

Wall Mount & Floor Stand

51.2V 100Ah LiFePO4 Battery



battery BMS supports simultaneous communication and docking with multiple inverter brands



Super Points: ONE Battery For Multiple Brand Inverters

Product advantages

Long cycle life

Using high-quality lithium iron phosphate batteries, the cycle life is more than 6000 times at 80%DOD, and can be used for 10-15 years



High quality prismatic lithium iron phosphate battery

Higher capacity, higher current, longer life

Low internal resistance and high current

Low internal resistance of the battery, excellent continuous high current discharge performance

Intelligent BMS battery protection

Built-in intelligent BMS (battery management system), effectively avoiding overcharge, overdischarge, overcurrent, short-circuit, balance and other problems



Communicated with multiple brands inverter same time

battery BMS supports simultaneous communication and docking with multiple brands inverter

Good safety performance

Extreme safety test, no fire, no explosion, no leakage



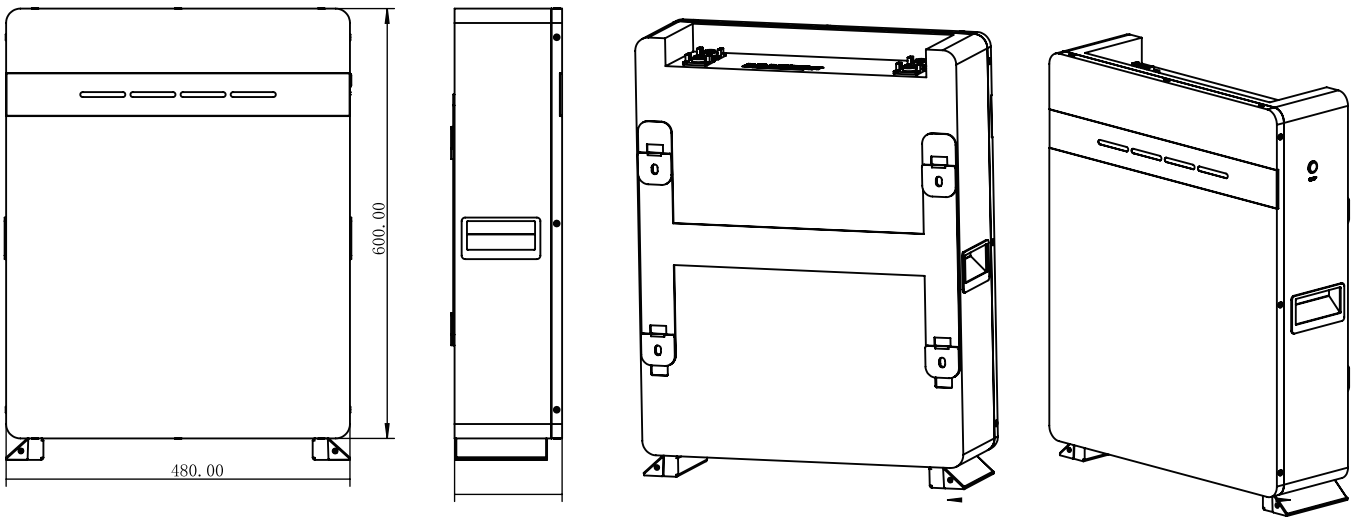


Two Mounting Method
 1 Wall Mount with Wall Bracket
 2 Floor Stand With Detachable Floor Bracket

Parameters

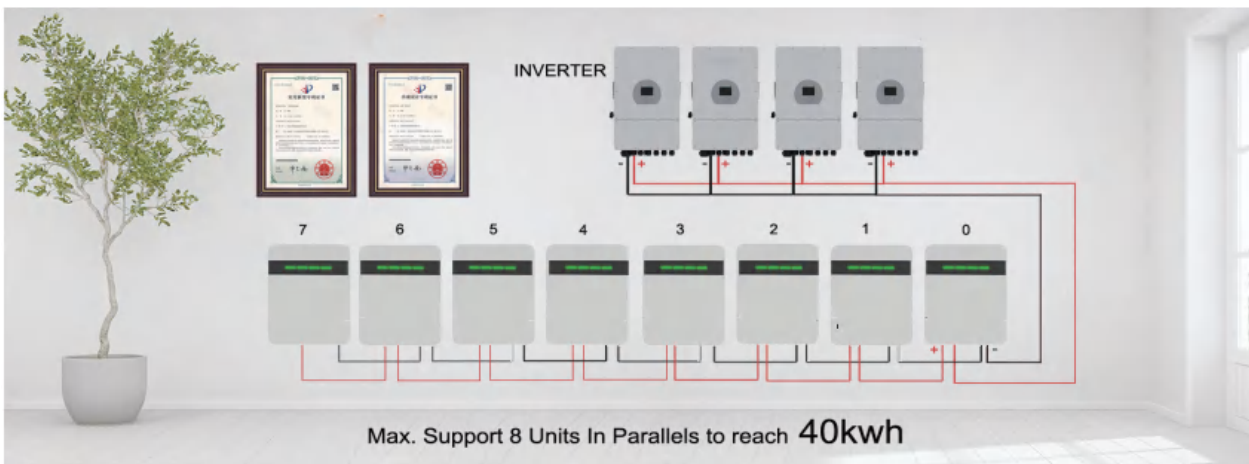
Product model	VOLTA STAGE 1
Product specification	51.2V 100Ah
Nominal voltage	51.2V
Nominal capacity	100Ah
Cell type	(LFP)
Charge Voltage	55.2V-56VDC
Max charge current	100A
Discharge cut-off voltage	44.8V
Max discharge current	100A
Parallels Function	Support 8 units in parallels
Communication interface	RS485、RS232、CAN(Optional)
Cycle life	≥ 6000 Cycles (80%DOD)
Charge temperature range	0~65°C
Discharge temperature range	-20~65°C
Colour	(Grey and white)
Dimensions	480*600*150MM
Weight	48Kg
Installation method	Wall mounted / Floor Stand
Warranty	10 Years For Cells,5 Years For BMS

Drawing



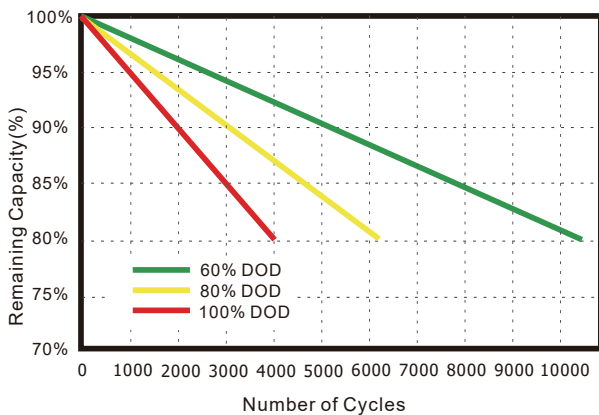
Parallel Connection Of Batteries

Connect the positive pole and positive pole in parallel, and the negative pole and negative pole in parallel, as shown in the figure below

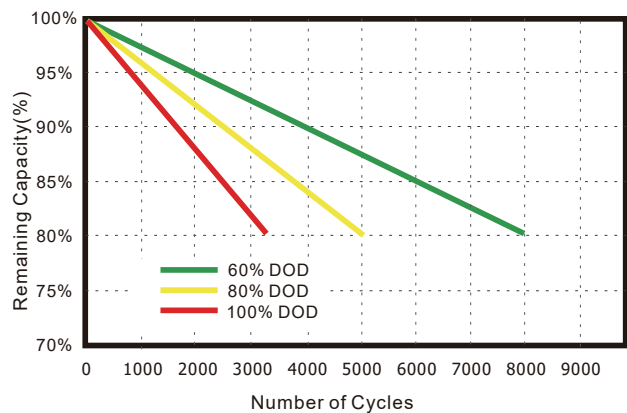


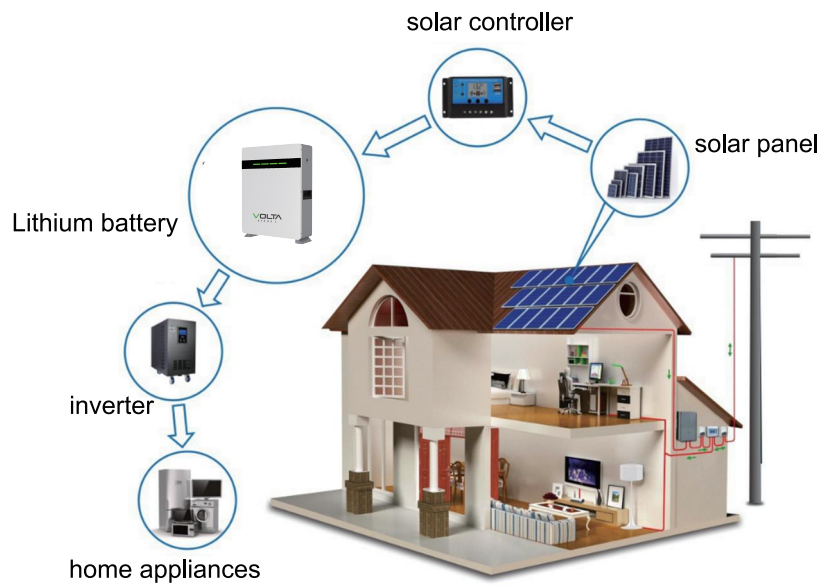
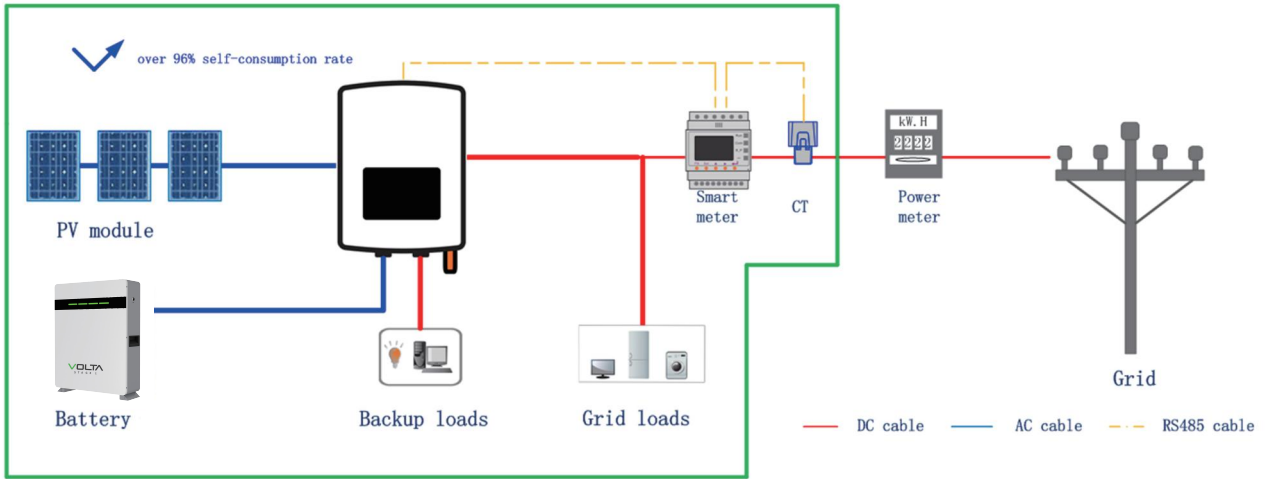
Cycle Life Curve

- Different discharge depth life curves & 25°C 0.5C



- Different discharge depth life curves & 40°C 0.5C





Product Application

